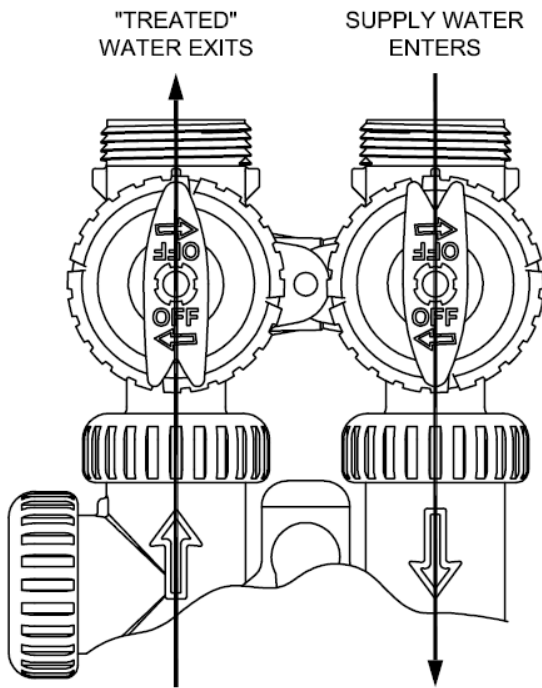
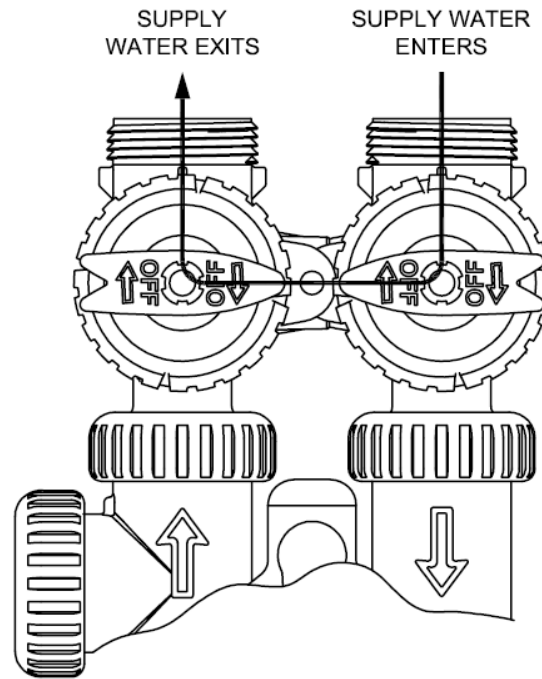


BYPASS VALVE OPERATION

NORMAL OPERATION



BYPASS OPERATION



During Normal Operation, the arrows on the bypass valves should be pointing in the direction as the flow of water in and out of the system.

During Bypass Operation, the arrows on the bypass valves should be facing each other creating a straight line and blocking any water flow from going in or out of the system.

To put a system in bypass, turn both valves (arrows/knobs may be red or black) $\frac{1}{4}$ turn in the direction of the arrow or "Off"/"Bypass" lettering on the valves.